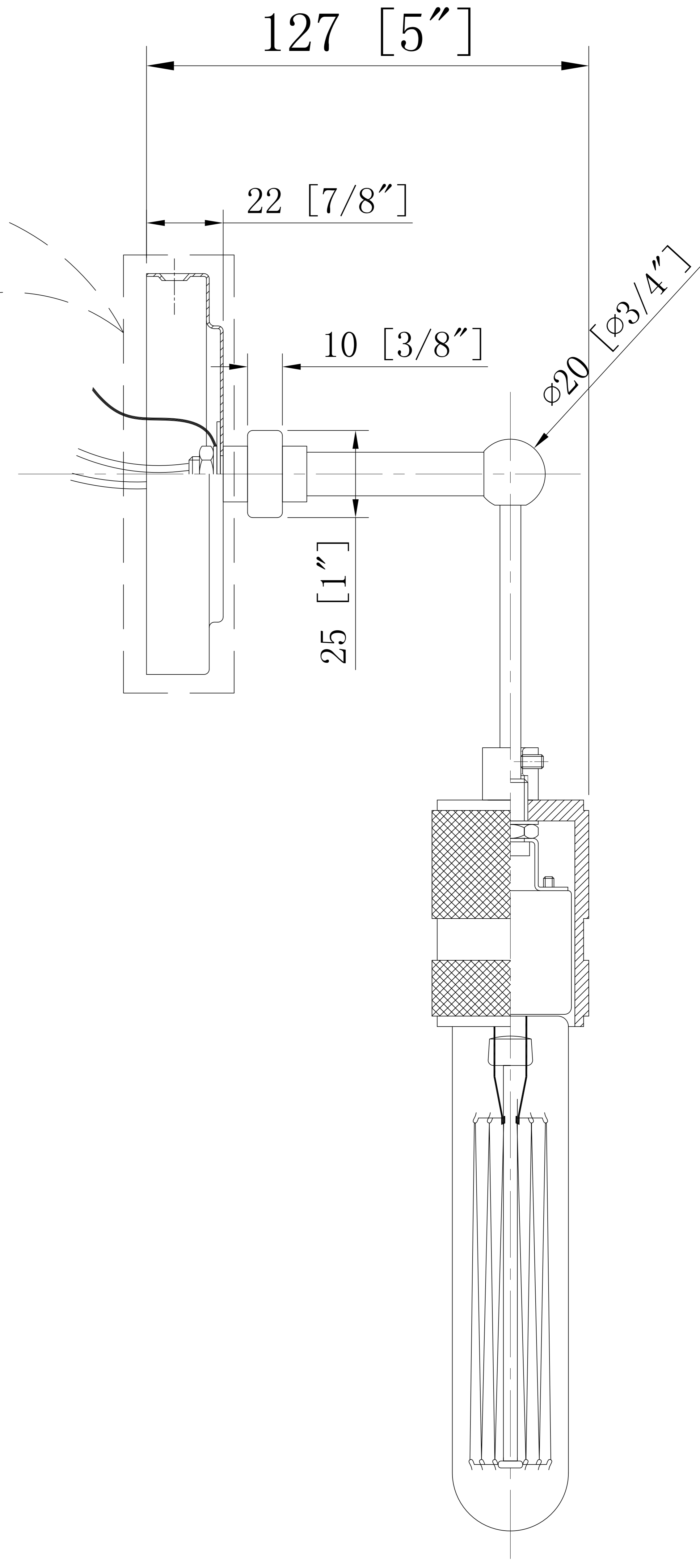
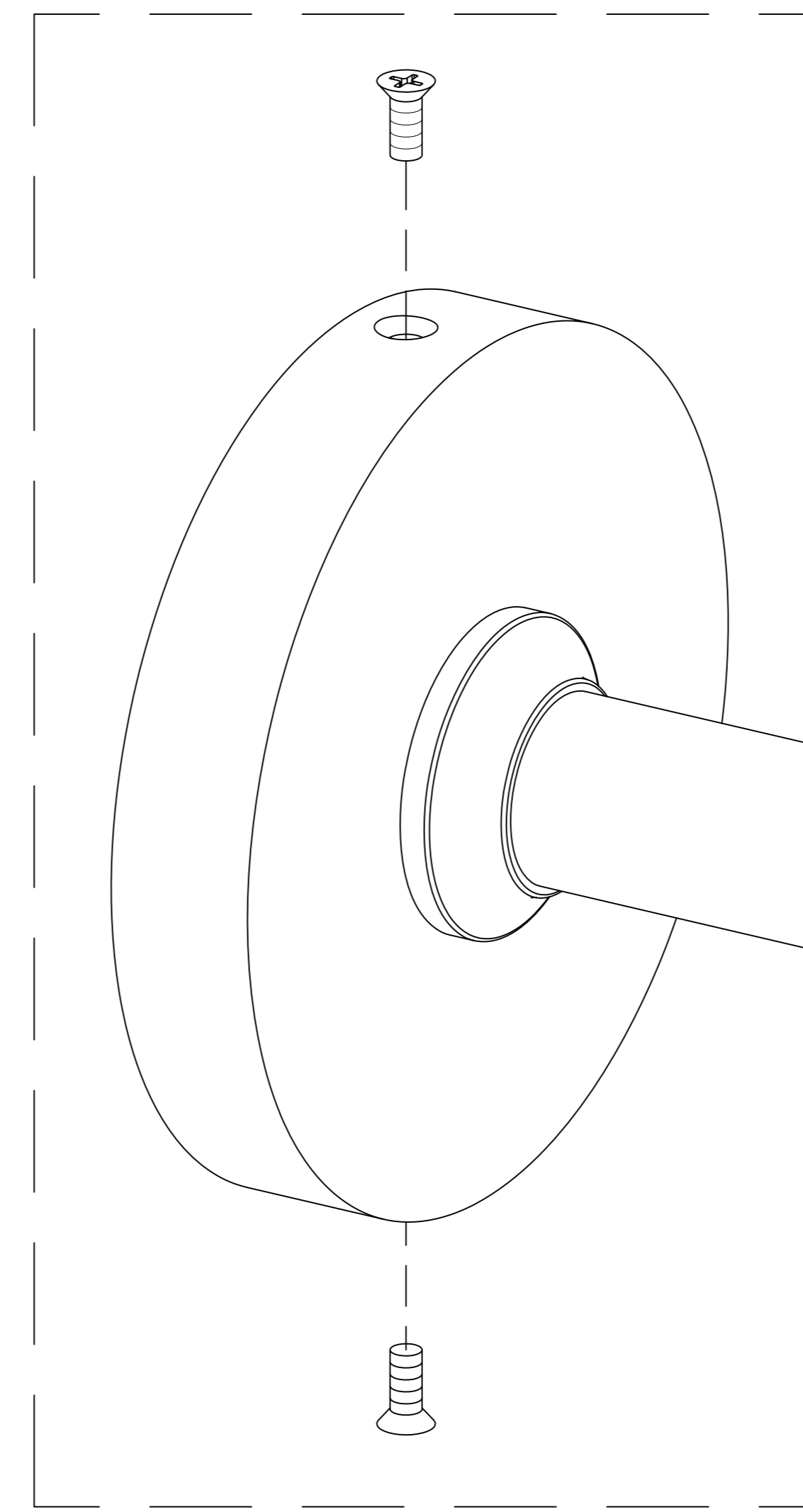
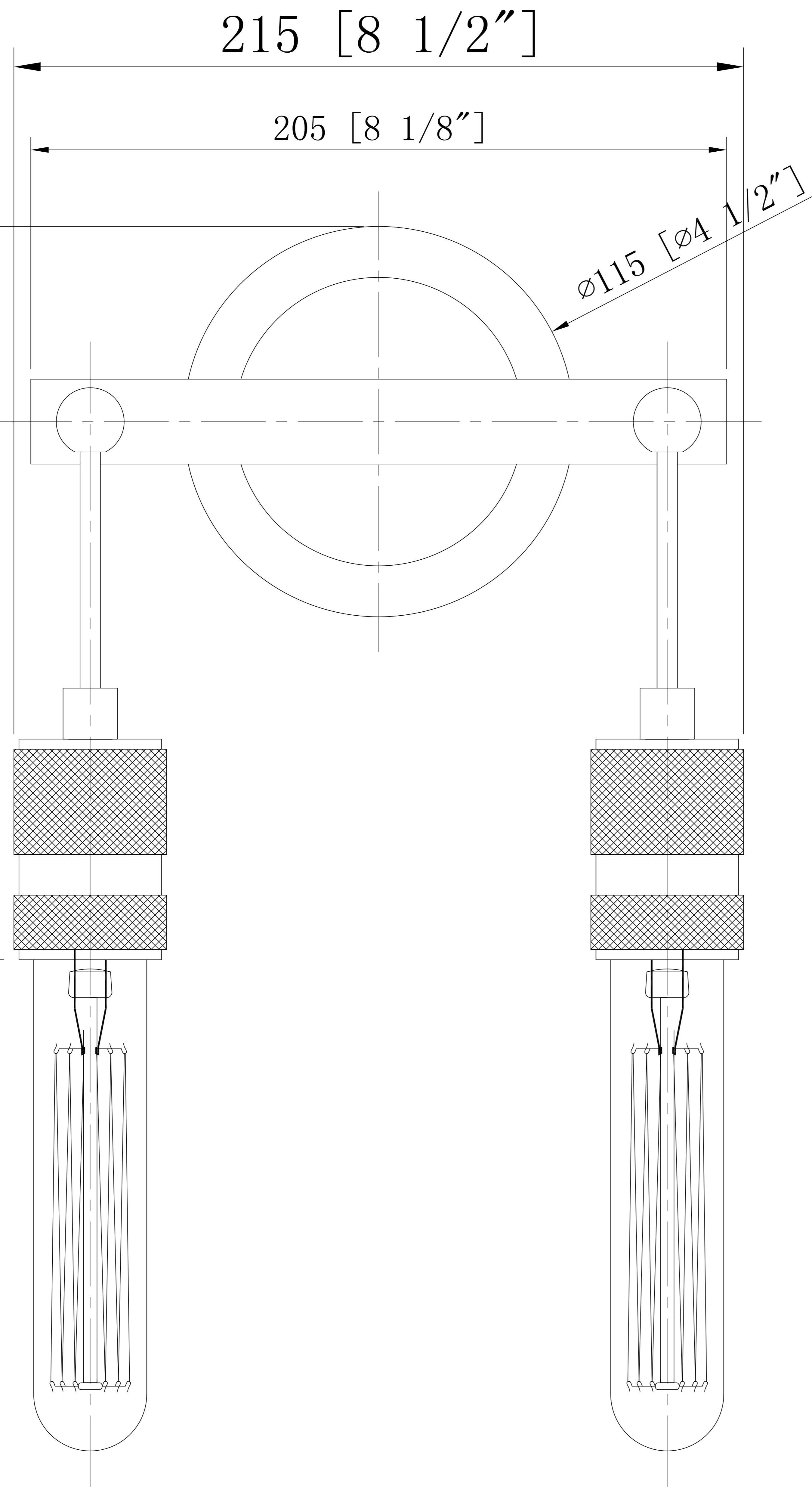


216 [8 1/2"]



INNOVATIONS LIGHTING  
DESIGN COPYRIGHT - 12/03/2019  
ALL RIGHTS RESERVED AND MAY  
NOT BE DUPLICATED WITHOUT OUR  
WRITTEN PERMISSION

ITEM: 444-2W